

Globe valve actuator for 2-way and 3-way globe valves

- Actuating force 1500 N
- Nominal voltage AC/DC 24V
- Control: Open-close, 3-point
- Nominal stroke 20 mm


Technical data

| | | |
|--|------------------------------------|---|
| Electrical data | Nominal voltage | AC/DC 24V |
| | Nominal voltage frequency | 50/60 Hz |
| | Nominal voltage range | AC 19.2...28.8V / DC 21.6...28.8V |
| | Power consumption in operation | 3 W |
| | Power consumption in rest position | 0.5 W |
| | Power consumption for wire sizing | 5 VA |
| | Connection supply / control | Terminals 4 mm ² and cable 1 m, 3 x 0.75 mm ² |
| | Parallel operation | Yes |
| Functional data | Actuating force | 1500 N |
| | Manual override | Gear disengagement with push-button, can be locked |
| | Nominal stroke | 20 mm |
| | Actuating time | 150 s / 20 mm |
| | Sound power level motor max. | 35 dB (A) |
| | Position indication | Mechanical 5 ... 20 mm stroke |
| | Safety | Protection class IEC/EN |
| Degree of protection IEC/EN | | IP54 |
| EMC | | CE in accordance with 2004/108/EC |
| Certification IEC/EN | | Certified to: IEC/EN 60730-1 and IEC/EN 60730-2-14 |
| Mode of operation | | Type 1 |
| Rated impulse voltage supply / control | | 0.8 kV |
| Control pollution degree | | 3 |
| Ambient temperature | | 0°C ... 50°C |
| Non-operating temperature | | -40°C ... 80°C |
| Ambient humidity | | 95% r.h., non-condensing |
| Maintenance | Maintenance-free | |
| Weight | Weight approx. | 1.340 kg |

Safety notes


- This actuator has been designed for application in stationary heating, ventilation and air-conditioning systems and is not allowed to be used outside the specified field of application, especially in aircraft or in any other airborne means of transport.
- Only authorised specialists may carry out installation. All applicable legal or institutional installation regulations must be complied with during installation.
- The switch for changing the direction of motion/the closing point may be adjusted only by authorised personnel. The direction of stroke is critical, particularly in connection with frost protection circuits.
- The device may only be opened at the manufacturer's site. It does not contain any parts that can be replaced or repaired by the user.
- The device contains electrical and electronic components and is not allowed to be disposed of as household refuse. All locally valid regulations and requirements must be observed.

Product features

| | |
|------------------------------------|--|
| Direct mounting | Simple direct mounting on the globe valve by means of form-fit hollow clamping jaws. The actuator can be rotated by 360° on the valve neck. |
| Manual override | Manual control with pushbutton possible - temporary, permanently. The gear is disengaged and the actuator decoupled for as long as the button is pressed / latched. The stroke can be adjusted by using a hexagon socket screw key (4 mm), which is inserted into the top of the actuator. The stroke spindle extends when the key is rotated clockwise. |
| High functional reliability | The actuator is overload protected, requires no limit switches and automatically stops when the end stop is reached. |
| Combination valve/actuator | Refer to the valve documentation for suitable valves, their permitted medium temperatures and closing pressures. |
| Position indication | The stroke is indicated mechanically on the bracket with tabs. The stroke range adjusts itself automatically during operation. |
| Home position | Setting ex-works: Actuator spindle is retracted. When valve-actuator combinations are shipped, the direction of motion is set in accordance with the closing point of the valve. |
| Direction of stroke switch | When actuated, the direction of stroke switch changes the running direction in normal operation. |

Accessories

| | Description | Type |
|------------------------|------------------|-------|
| Electrical accessories | Auxiliary switch | S2A-H |

Electrical installation

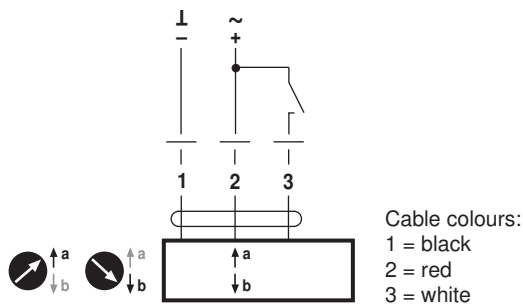


Notes

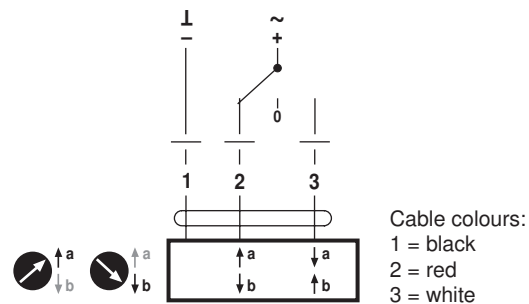
- Connection via safety isolating transformer.
- Parallel connection of other actuators possible.
- Direction of stroke switch factory setting: Actuator spindle retracted.

Wiring diagrams

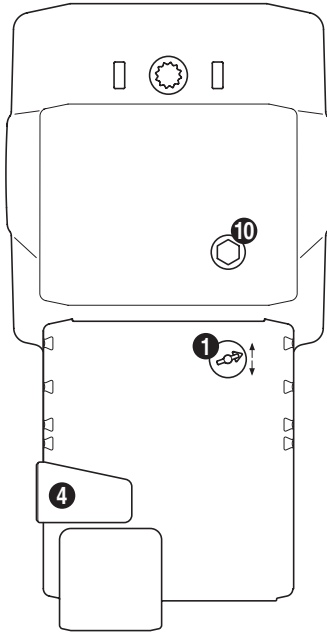
AC/DC 24 V, open-close (one-wire)



AC/DC 24 V, 3-point



Operating controls and indicators



(1) Direction of stroke switch

Switching: Direction of stroke changes

(4) Gear disengagement button

Press button: Gear disengages, motor stops, manual override possible

Release button: Gear engages, standard mode

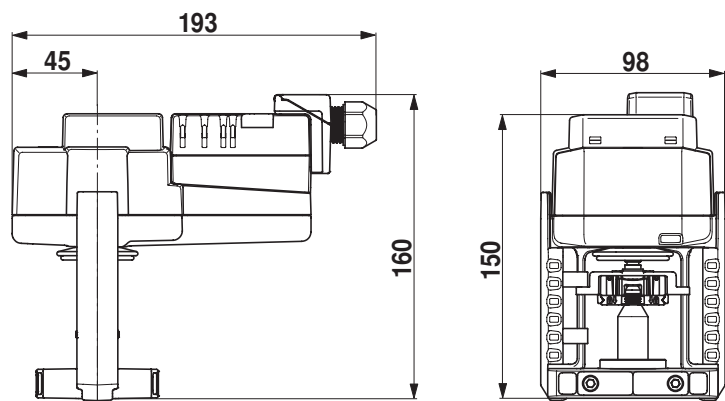
(10) Manual override

Clockwise: Actuator spindle extends

Counterclockwise: Actuator spindle retracts

Dimensions [mm]

Dimensional drawings



Further documentation

- Data sheets for globe valves
- Installation instructions for actuators and/or globe valves, respectively
- Notes for project planning for 2-way and 3-way globe valves (hydraulic characteristic curves and circuits, design and dimension, installation instructions, etc.)
- Overview "Valve-actuator combinations"