

**Change-over ball valve, 3-way,
External thread**

- For open and closed cold and warm water systems
- For switching functions on the water side and 2-point controls in air handling units and heating systems
- Suitable for drinking water
- Air bubble-tight (control path A - AB)


Type overview

Type	kvs [m ³ /h]	DN []	G ["]	PN []
R515	8.6	15	1	16
R520	21	20	1 1/4	16
R525	26	25	1 1/2	16
R530	16	32	2	16
R532	32	32	2	16
R540	32	40	2 1/4	16
R550	49	50	2 3/4	16

Technical data

Functional data	Media	Cold and warm water, drinking water, water with glycol up to max. 50% vol.
	Medium temperature	6...100 °C
	Medium temperature note	-10 °C with stem heating (without R530, R540 and R550) The allowed media temperature can be limited, depending on the type of actuator. Limitations can be found in the respective data sheets of the actuators.
	Rated pressure ps	1600 kPa
	Closing pressure Δps	1400 kPa
	Differential pressure Δpmax	400 kPa
	Differential pressure note	200 kPa for low-noise operation
	Flow rate	Bypass B – AB: Approx. 50% of kvs value
	Leakage rate	Port A - AB: Leakage rate A, air-bubble-tight (EN 12266-1), Bypass B - AB: Leakage class I (EN 1349 and EN 60534-4) max. 1% of the kvs value
	Pipe connectors	External thread according to ISO 228-1
	Angle of rotation	90°
	Installation position	Upright to horizontal (in relation to the stem)
	Maintenance	Maintenance-free
	Materials	Housing
Closing element		Stainless steel
Stem		Stainless steel
Stem seal		O-ring EPDM
Valve seat		PTFE, O-ring Viton
Grease		Klübersynth VR 69-252N (drinking water grade)

Safety notes


- The valve has been designed for use in stationary heating, ventilation and air-conditioning systems and is not allowed to be used outside the specified field of application, especially in aircraft or in any other airborne means of transport.
- Only authorised specialists may carry out installation. All applicable legal or institutional installation regulations must be complied during installation.
- The valve does not contain any parts that can be replaced or repaired by the user.

Safety notes

- The valve may not be disposed of as household refuse. All locally valid regulations and requirements must be observed.
- When determining the flow rate characteristic of controlled devices, the recognised directives must be observed.

Product features

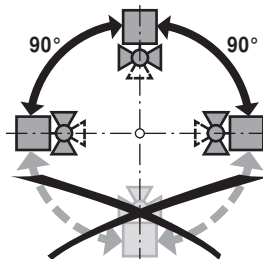
Mode of operation The open-close ball valve is adjusted by a rotary actuator. The rotary actuator is connected by an open-close signal. Open the ball valve counterclockwise and close it clockwise.

Accessories

	Description	Type
Electrical accessories	Spindle heating DN 15-50 (5W)	ZR24-1
	Description	Type
Mechanical accessories	Pipe connector to ballvalves DN 15 Rp 1/2"	ZR4515
	Pipe connector to ballvalves DN 20 Rp 3/4"	ZR4520
	Pipe connector to ballvalves DN 25 Rp 1"	ZR4525
	Pipe connector to ballvalves DN 32 Rp 1 1/4"	ZR4532
	Pipe connector to ballvalves DN 40 Rp 1 1/2"	ZR4540
	Pipe connector to ballvalves DN 50 Rp 2"	ZR4550

Installation notes

Recommended installation positions The ball valve can be installed upright to horizontal. The ball valve may not be installed in a hanging position, i.e. with the stem pointing downwards.

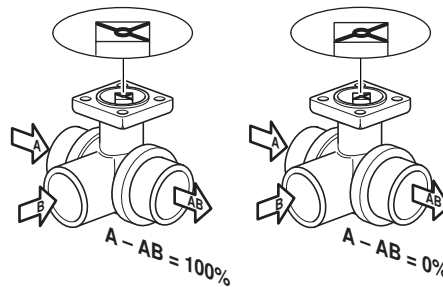


Water quality requirements The water quality requirements specified in VDI 2035 must be adhered to. Belimo valves are regulating devices. For the valves to function correctly in the long term, they must be kept free from particle debris (e.g. welding beads during installation work). The installation of suitable strainer is recommended.

Maintenance Ball valves and rotary actuators are maintenance-free. Before any kind of service work is carried out on the actuator, it is essential to isolate the rotary actuator from the power supply (by unplugging the electrical cable). Any pumps in the part of the piping system concerned must also be switched off and the appropriate slide valves closed (allow everything to cool down first if necessary and reduce the system pressure to ambient pressure level). The system must not be returned to service until the ball valve and the rotary actuator have been properly reassembled in accordance with the instructions and the pipeline has been refilled in the proper manner.

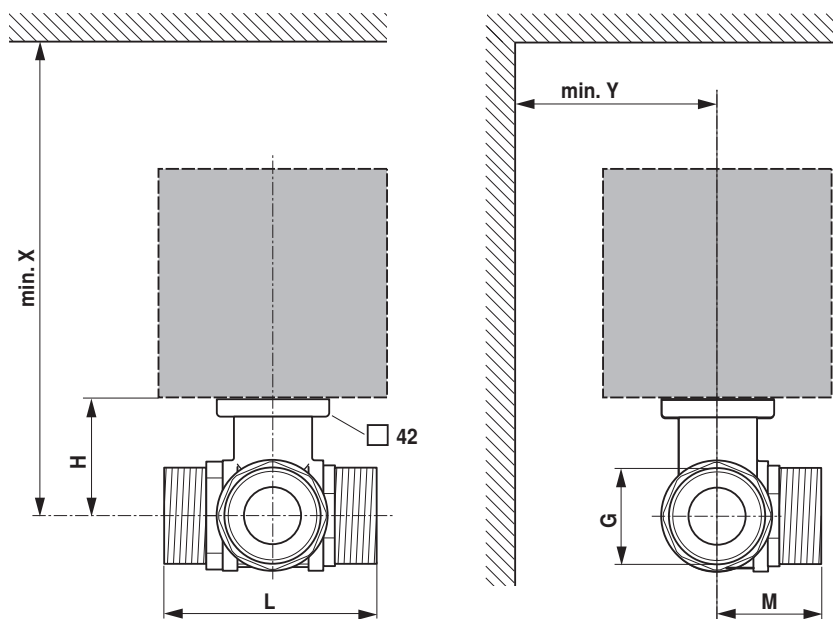
Installation notes

Flow direction The direction of flow, specified by an arrow on the housing, is to be complied with, since otherwise the ball valve could become damaged. Please ensure that the ball is in the correct position (marking on the spindle).



Dimensions / Weight

Dimensional drawings



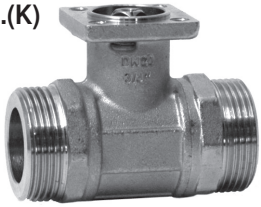
X/Y: Minimum distance with respect to the valve centre.
The actuator dimensions can be found on the respective actuator data sheet.

Type	DN []	G ["]	L [mm]	M [mm]	H [mm]	X [mm]	Y [mm]	Weight approx. [kg]
R515	15	1	74	39	44	220	90	0.7
R520	20	1 1/4	85.5	41.5	46	220	90	1
R525	25	1 1/2	84.5	45	46	220	90	1.1
R530	32	2	103.5	55.5	46	220	90	1.7
R532	32	2	107.5	55.5	50.5	230	90	1.8
R540	40	2 1/4	114.5	56	50.5	230	90	2.3
R550	50	2 3/4	131.5	68	56	240	90	3.8

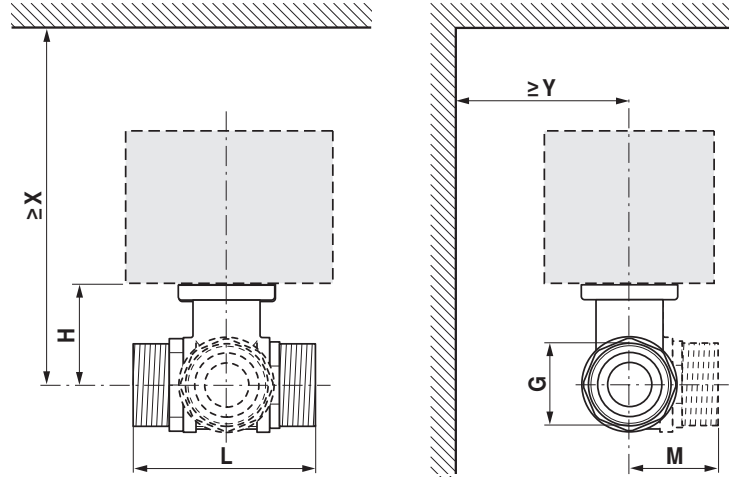
Further documentation

- Overview Valve-actuator combinations
- Data sheets for actuators
- Installation instructions for actuators and/or ball valves
- General notes for project planning



R4..(K)



R5..(K)



71604-00001.A

		DN	G	mm			80 °C		100 °C						100 °C									
							KR..		TR..		LR..A		NR..A		SR..A		TRF..		LRF..		NRF..A		SRF..A	
		mm	”	L	H	M	X	Y	X	Y	X	Y	X	Y	X	Y	X	Y	X	Y	X	Y	X	Y
R405K ... R409K	R505K ... R508K	10	3/4"	69	31.5	34	138	75	173	75	187	75	218	80	218	80	178	60	188	90	188	90	188	90
R409 ... R415	R509 ... R515	15	1"	74	44	37	150	75	185	75	195	75	230	80	230	80	190	60	200	90	220	90	220	90
R417 ... R420	R517 ... R520	20	1 1/4"	85.5	46	42.5					200	75	235	80	235	80			205	90	225	90	225	90
R422 ... R425	R522 ... R525	25	1 1/2"	84.5	46	47.5					200	75	235	80	235	80			205	90	225	90	225	90
R429 ... R430		32	2"	97.5	46						200	75	235	80	235	80			205	90	225	90	225	90
	R529 ... R530	32	2"	103.5	46	56					200	75	235	80	235	80			205	90	225	90	225	90
R431 ... R432		32	2"	102	50.5								240	80	240	80					230	90	230	90
	R531 ... R532	32	2"	107.5	50.5	56							240	80	240	80					230	90	230	90
R438 ... R440		40	2 1/4"	103.5	50.5								240	80	240	80					230	90	230	90
	R538 ... R540	40	2 1/4"	114.5	50.5	60.5							240	80	240	80					230	90	230	90
R448 ... R450		50	2 3/4"	115.5	56										245	80							235	90
	R548 ... R550	50	2 3/4"	131.5	56	71.5									245	80							235	90

