

Globe valves, 3-way, with PN 40 flange

- For closed cold water, low-temperature hot water and hot water systems
- For modulating water-side control


Type overview

Type	kvs [m ³ /h]	DN	Stroke [mm]	ps [kPa]	Sv min.
H7015Y4-S2	4	15	20	4000	30
H7020Y6P3-S2	6.3	20	20	4000	50
H7025Y10-S2	10	25	20	4000	50
H7032Y16-S2	16	32	20	4000	50
H7040Y25-S2	25	40	20	4000	50
H7050Y40-S2	40	50	20	4000	50
H7065Y63-S4	63	65	30	4000	50
H7080Y100-S4	100	80	30	4000	50
H7100Y160-S4	160	100	30	4000	50

Technical data

Functional data	Media	Cold and hot water, water with glycol up to max. 50% vol.
	Medium temperature	5 °C...200 °C
	Medium temperature note	120 °C to 4000 kPa 200 °C to 3200 kPa
	Flow characteristic	Control path A – AB: linear (VDI/VDE 2173), Bypass B – AB: linear (VDI/VDE 2173)
	Leakage rate	Control path A – AB: Leakage Class III (DIN EN 1349 and DIN EN 60534-4), Bypass B – AB: max. 1% of the kvs value
	Pipe connections	Flange according to ISO 7005-2 (PN 40)
	Closing point	Top (▲)
	Installation position	Upright to horizontal (in relation to the stem)
	Maintenance	Maintenance-free
	Materials	Valve
Valve cone		stainless steel
Stem		stainless steel
Stem seal		PFTE V-ring
Seat		stainless steel

Safety notes

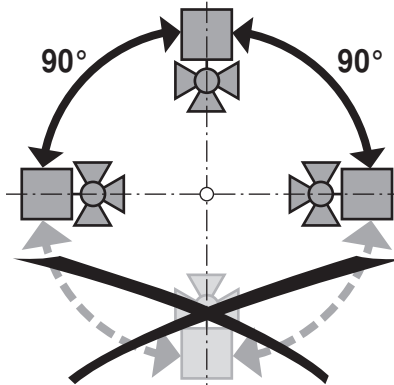

- The valve has been designed for use in stationary heating, ventilation and air conditioning systems and is not allowed to be used outside the specified field of application, especially in aircraft or in any other airborne means of transport.
- Only authorised specialists may carry out installation. All applicable legal or institutional installation regulations must be complied with during installation.
- The valve does not contain any parts that can be replaced or repaired by the user.
- The valve may not be disposed of as household refuse. All locally valid regulations and requirements must be observed.
- When determining the flow rate characteristic of control devices, the recognised directives must be observed.

Product features

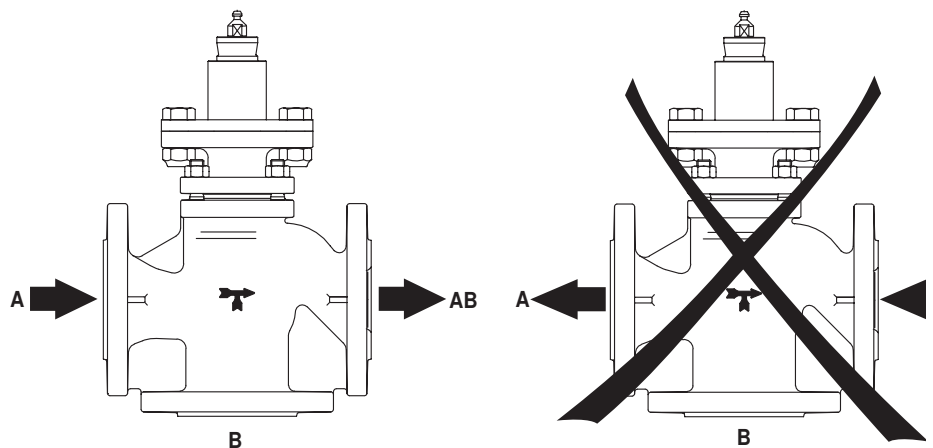
- Principle of operation** The globe valve is adjusted by a globe valve actuator. The actuators are controlled by a commercially available modulating or 3-point control system and move the valve cone, which acts as a mixing device, to the opening position dictated by the positioning signal.
- Flow characteristic** A linear flow characteristic is produced in the direction of flow by the profile of the valve cone. The bypass exhibits a linear characteristic curve.

Installation notes

- Recommended installation positions** The globe valves may be mounted upright to horizontal. It is not permissible to mount the globe valves with the stem pointing downwards.

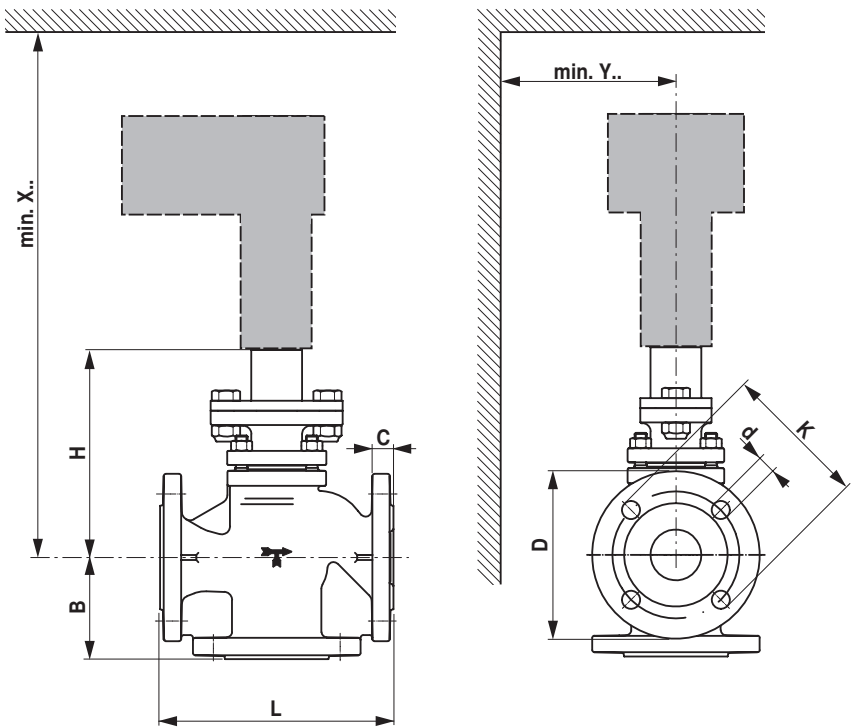


- Water quality requirements** The water quality requirements specified in VDI 2035 must be adhered to. Globe valves are regulating devices. The use of dirt filters is recommended in order to prolong their service life as modulating instruments.
- Maintenance** Globe valves and globe valve actuators are maintenance-free. Before any kind of service work is carried out on the actuator, it is essential to isolate the linear actuator from the power supply (by disconnecting the electrical cables if necessary). Any pumps in the part of the piping system concerned must also be switched off and the appropriate isolating valves closed (allow everything to cool down first if necessary and reduce the system pressure to ambient pressure level). The system must not be returned to service until the globe valve and the globe valve actuator have been mounted properly in accordance with the instructions and the pipelines have been refilled in the proper manner.
- Flow direction** The direction of flow, specified by an arrow on the housing, is to be complied with, otherwise the valve could be damaged.



Dimensions [mm] / weight

Dimensional drawings



X/Y: Minimum distance with respect to the valve centre.
The actuator dimensions can be found on the respective actuator data sheet.

Type	DN	L [mm]	B [mm]	H [mm]	C [mm]	D [mm]	d [mm]	K [mm]	X [mm]	Y [mm]	Weight approx. [kg]
H7015Y4-S2	15	130	65	172	16	95	4 x 14	65	400	100	6.5
H7020Y6P3-S2	20	150	70	172	18	105	4 x 14	75	400	100	7.6
H7025Y10-S2	25	160	75	176	18	115	4 x 14	85	410	100	8.6
H7032Y16-S2	32	180	80	202	18	140	4 x 18	100	430	100	11.5
H7040Y25-S2	40	200	90	207	18	150	4 x 18	110	440	100	15.1
H7050Y40-S2	50	230	100	205	20	165	4 x 18	125	440	100	17.2
H7065Y63-S4	65	290	120	230	22	185	8 x 18	145	560	150	24.5
H7080Y100-S4	80	310	130	246	24	200	8 x 18	160	580	150	33.5
H7100Y160-S4	100	350	150	265	24	235	8 x 22	190	600	150	51.5

Further documentation

- Overview "Valve-actuator combinations
- Data sheets for globe valve actuators
- Installation instructions for valves and/or globe valve actuators
- Notes for project planning, 2-way and 3-way globe valves